

AI Stereo Vision People Counter VS125

Milesight



VS125 is a professional people counting sensor based on deep learning AI and Binocular Stereo Vision technology. This sensor possesses an impressive accuracy of up to 99.8% in people counting, and it delivers exceptional performance even in low light environment and total darkness. In addition, it can perform rich attribute recognition, including gender, children, and staff. It is designed with privacy protections that comply with GDPR.

VS125 offer various connectivity options (Cellular and PoE) for seamless connectivity and efficient space management across applications. Additionally, it provides rich interfaces for versatile connection options (RS485/DO/DI), expanding the possibilities for integration and customization.

The device can be easily installed, making it ideal in retail stores, malls, offices, subways, and other locations.

◆ Features

Highly-efficient Sensing Ability

- Up to 99.8% people counting accuracy with AI and stereo vision technology
- Great lighting adaptability that allows it to work well in low light environments and complete darkness
- With high ceiling mounting of up to 6m, support automatic tilt correction and automatic infrared light adjustment

- Customer-defined preview privacy settings, no data with personal information is transmitted, complies with GDPR
- Supports line crossing people counting, regional people counting and dwell time detection
- Rich attribute recognition capabilities, including gender, group counting, children and staff identification etc, provide deeper insights
- Supports heat map functionality for analyzing foot traffic intensity and distribution
- Supports view direction detection for retail layout and advertising optimization
- Supports Multi-Device Stitching which enables the linking of multiple devices, allowing for up to 16-device stitching to expand coverage
- Supports local data storage and data retransmission to ensure secure data collection

Rich Connectivity Options

- Provide multiple connectivity options (PoE, Cellular)
- Supports RS485/DI/DO multiple interfaces and has strong scalability
- Allows quick and easy management via Milesight DeviceHub and the Milesight Development Platform
- High compatibility of data transmission with HTTP(s)/MQTT(s) protocol and API, supports customized push content methods
- BACnet/IP native integration for building management systems

◆ Specifications

Version	PoE Version	Cellular Version
Model Name	VS125-P	VS125-L0BEU
Sensor		
Sensor	2 × 4MP Sensor (2688 × 1520)	
Installation Height	2.2 ~ 6m	
FoV	101° Horizontal, 70° Vertical	
Required Illumination	0 lux with iR illuminators On	
Advanced Function		
Bi-Directional People Counting	Up to 4 detection lines for bi-directional people counting	
U-turn Filtering	Filter redundant counting of people wandering in the bi-directional people counting areas	
Regional People Counting & Dwell Time Detection	Up to 4 detection areas (up to 10 decagon for each area) for regional people counting and dwell time detection	
Children/Adult Differentiation	Support (Installation Height: 2.2 ~ 4m)	
Staff Detection		
Gender Recognition		
Group Counting	Support	

Heat Map	Support	
View Direction Detection	Support	
Multi-Device Stitching	Support up to 16 devices stitching to expand coverage	
Validation	8GB	
Data Retransmission	Support 8 × 50000 data retransmission packets	
Local Storage	Stores up to one million data records and supports exporting CSV files	
Data Transmission		
Ethernet		
Ethernet Port	1 × RJ45 10/100 Mbps (PoE PD)	1 × RJ45 10/100 Mbps
Network Protocol	MQTT(s), HTTP(s), 802.1x, SSH, NTP, OpenVPN, BACnet/IP, etc.	MQTT(s), HTTP(s), SSH, NTP, OpenVPN, etc.
Ethernet Isolation	1.5 kV RMS	-
Cellular		
Antenna	-	Internal Antenna
Network	-	4G LTE (CAT1)
Frequency Band	-	LTE-FDD: B1/B3/B5/B7/B8/B20/B28 for EMEA+Australia/New Zealand
SIM Slot	-	1 x Nano SIM (4FF) Slot, 1.8V/3V
Other Interfaces		
Power Connector	1 × DC Jack Connector	
DI/DO	1/2	
Serial Interface	1 × RS485 (Under Development)	
Wi-Fi	IEEE 802.11 b/g/n, 2.4GHz (AP Mode for configuration)	
Button	1 × Reset/Wi-Fi Button	
LED Indicators	1 × RGB LED indicator	
Physical Characteristics		
Power Supply	802.3af PoE or DC 12V/1A	DC 12V/1A
Power Consumption	Avg. 5.9W Max. 11.1W	Avg. 5.1W Max. 10W
Operating Temperature	-20°C ~ 50°C	
Relative Humidity	0 ~ 95% (Non-condensing)	
Ingress Protection	IP40	
Dimension	185 × 85 × 34 mm (7.26 × 3.35 × 1.34 in)	
Weight	275g	272g
Color	White or Black (Optional)	
Installation	Ceiling Mounting, Extended Ceiling Mounting & Lintel Mounting (with Optional Multifunctional Bracket)	

Approvals

Regulatory

CE, FCC

CE

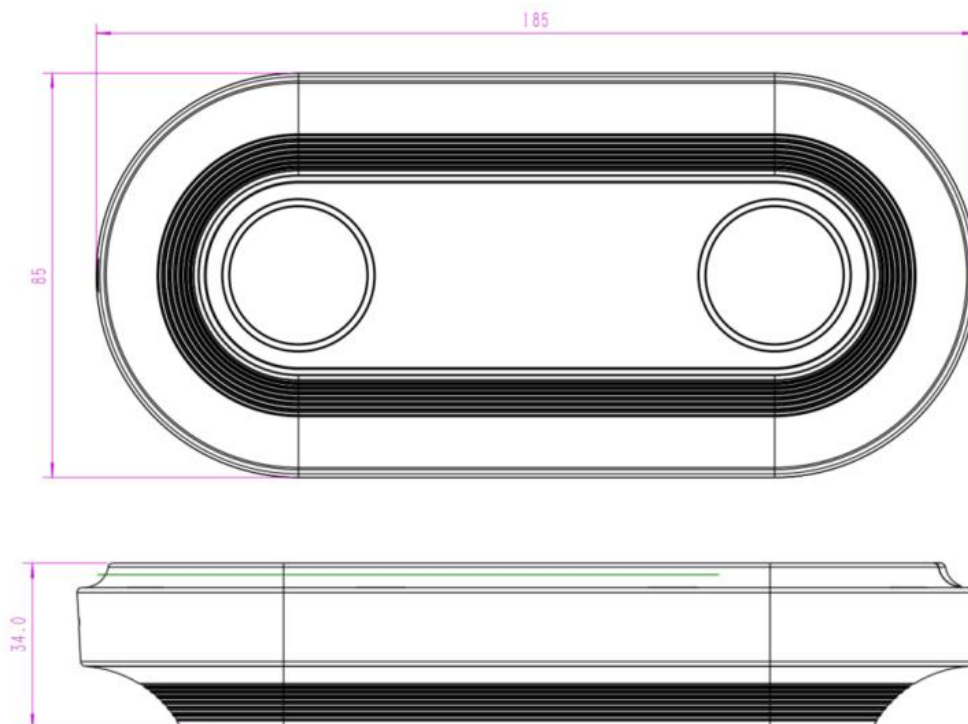
Environment

RoHS

◆ Detection Area

Installation Height (m)	Detection Area(m)
2.2	1.21 × 0.7
2.5	1.94 × 1.12
3.0	3.16 × 1.82
3.5	4.37 × 2.52
4.0	5.58 × 3.22
4.5	6.80 × 3.92
5.0	8.01 × 4.62
5.5	9.23 × 5.32
6.0	10.44 × 6.02

◆ Dimensions (mm)



AI Stereo Vision People Counter VS125-LW

Milesight



VS125-LW is a professional people counting sensor based on deep learning AI and Binocular Stereo Vision technology. This sensor possesses an impressive accuracy of up to 99.8% in people counting, and it delivers exceptional performance even in low light environment and total darkness. In addition, it can perform rich attribute recognition, including gender, children, and staff. It is designed with privacy protections that comply with GDPR.

VS125-LW offer various connectivity options (Cellular and PoE) for seamless connectivity and efficient space management across applications. Additionally, it provides rich interfaces for versatile connection options (RS485/DO/DI), expanding the possibilities for integration and customization.

The device can be easily installed, making it ideal in retail stores, malls, offices, subways, and other locations.

◆ Features

Highly-efficient Sensing Ability

- Up to 99.8% people counting accuracy with AI and stereo vision technology
- Great lighting adaptability that allows it to work well in low light environments and complete darkness
- Supports a minimum installation height of 1.9 meters and provides a detection range of up to 40 square meters at an installation height of 3.5 meters

- Customer-defined preview privacy settings, no data with personal information is transmitted, complies with GDPR
- Supports line crossing people counting, regional people counting and dwell time detection
- Rich attribute recognition capabilities, including gender, group counting, children and staff identification etc, provide deeper insights
- Supports heat map functionality for analyzing foot traffic intensity and distribution
- Supports view direction detection for retail layout and advertising optimization
- Supports Multi-Device Stitching which enables the linking of multiple devices, allowing for up to 16-device stitching to expand coverage
- Supports local data storage and data retransmission to ensure secure data collection

Rich Connectivity Options

- Provide multiple connectivity options (PoE, Cellular)
- Supports RS485/DI/DO multiple interfaces and has strong scalability
- Allows quick and easy management via Milesight DeviceHub and the Milesight Development Platform
- High compatibility of data transmission with HTTP(s)/MQTT(s) protocol and API, supports customized push content methods

◆ Specifications

Version	PoE Version	Cellular Version
Model Name	VS125-LW-P	VS125-LW-LOEGL
Sensor		
Sensor	2 × 5MP Sensor (2592 × 1744)	
Installation Height	1.9 ~ 3.5m	
FoV	130° Horizontal, 117° Vertical	
Required Illumination	0 lux with iR illuminators On	
Advanced Function		
Bi-Directional People Counting	Up to 4 detection lines for bi-directional people counting	
U-turn Filtering	Filter redundant counting of people wandering in the bi-directional people counting areas	
Regional People Counting & Dwell Time Detection	Up to 4 detection areas (up to 10 decagon for each area) for regional people counting and dwell time detection	
Children/Adult Differentiation	Support (Installation Height: 1.9 ~ 3.3m)	
Staff Detection		
Gender Recognition		
Group Counting	Support	
Heat Map	Support	

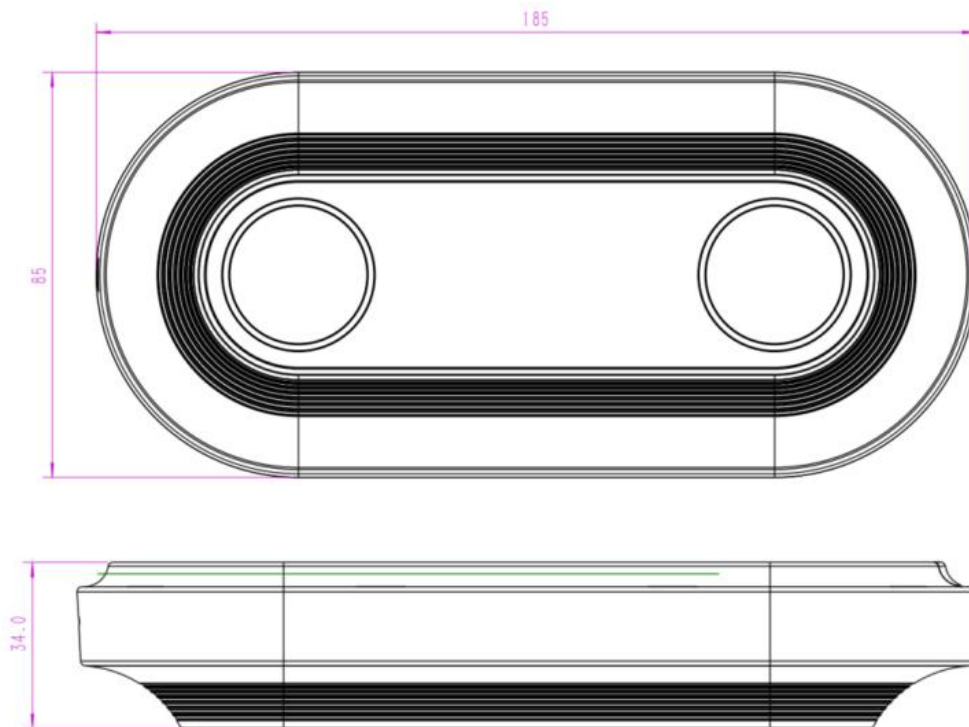
View Direction Detection	Support	
Multi-Device Stitching	Support up to 16 devices stitching to expand coverage	
Validation	8GB	
Data Retransmission	Support 8 × 50000 data retransmission packets	
Local Storage	Stores up to one million data records and supports exporting CSV files	
Data Transmission		
Ethernet		
Ethernet Port	1 × RJ45 10/100 Mbps (PoE PD)	1 × RJ45 10/100 Mbps
Network Protocol	MQTT(s), HTTP(s), 802.1x, SSH, NTP, OpenVPN, BACnet/IP, etc.	MQTT(s), HTTP(s), SSH, NTP, OpenVPN, etc.
Ethernet Isolation	1.5 kV RMS	-
Cellular		
Antenna	-	Internal Antenna
Network	-	4G LTE (CAT1)
Frequency Band	-	LTE-FDD: B1/2/3/4/5/7/8/12/13/18/19/20/25/26/ 28/66 LTE-TDD: B34/38/39/40/41
SIM Slot	-	1 x Nano SIM (4FF) Slot, 1.8V/3V
Other Interfaces		
Power Connector	1 × DC Jack Connector	
DI/DO	1 × DI, 2 × DO	
Serial Interface	1 × RS485 (Under Development)	
Wi-Fi	IEEE 802.11 b/g/n, 2.4GHz (AP Mode for configuration)	
Button	1 × Reset/Wi-Fi Button	
LED Indicators	1 × RGB LED indicator	
Physical Characteristics		
Power Supply	802.3af PoE or DC 12V/1A	DC 12V/1A
Power Consumption	Avg. 6.9W Max. 12W	Avg. 6.5W Max. 12W
Operating Temperature	-20°C ~ 60°C	
Relative Humidity	0 ~ 95% (Non-condensing)	
Ingress Protection	IP40	
Dimension	185 × 85 × 34 mm (7.26 × 3.35 × 1.34 in)	
Weight	284.4g	280.9g
Color	White or Black (Optional)	
Installation	Ceiling Mounting, Extended Ceiling Mounting & Lintel Mounting (with Optional	

Multifunctional Bracket)	
Approvals	
Regulatory	CE, FCC
Environment	RoHS

◆ Detection Area

Installation Height (m)	Detection Area(m)
1.9	0.86 × 0.65
2.0	1.28 × 0.98
2.2	2.14 × 1.63
2.5	3.43 × 2.61
3.0	5.57 × 4.24
3.5	7.71 × 5.87

◆ Dimensions (mm)



AI Stereo Vision People Counter VS125 Outdoor Series

Milesight

VS125 Outdoor Series is a professional-grade people counting solution designed for outdoor environments. Designed to withstand harsh environments, it features an IP67 rating for water and dust resistance, along with protection against infrared/ultraviolet radiation and rain.

Powered by deep learning AI and binocular stereo vision, the sensor achieves up to 99.8% people counting accuracy even in low light or complete darkness. It also supports attribute recognition such as gender, children, and staff detection, while fully complying with GDPR privacy standards.

The device offers flexible connectivity options including Cellular and PoE, as well as expansion interfaces such as RS485, DO, and DI, enabling seamless integration and efficient space management in a wide range of outdoor applications.

The device can be used in places like scenic spots, streets, parks, outdoor activities, etc.



◆ Features

Highly-efficient Sensing Ability

- Up to 99.8% people counting accuracy with AI and stereo vision technology
- IP67-rated waterproof and dustproof housing ensures reliable outdoor performance across a wide temperature range
- Excellent light adaptability for reliable performance in low light and total darkness
- Supports ceiling mounting up to 6 m, with automatic tilt correction and infrared light adjustment
- Customer-defined preview privacy settings, no data with personal information is transmitted, complies with GDPR
- Supports line crossing people counting, regional people counting and dwell time detection
- Advanced attribute recognition including gender, group, children, and staff identification enabling deeper insights
- Supports heat map functionality for analyzing foot traffic intensity and distribution
- Supports Multi-Device stitching for linking up to 16 devices to expand coverage
- Supports local data storage and data retransmission to ensure secure data collection

Rich Connectivity Options

- Provide multiple connectivity options (PoE, Cellular)
- Supports RS485/DI/DO multiple interfaces and has strong scalability
- Allows quick and easy management via Milesight Development Platform
- High compatibility of data transmission with HTTP(s)/MQTT(s) protocol and API, supports customized push content methods

◆ Specifications

Version	PoE Version	Cellular Version
Model Name	VS125-O-P	VS125-O-L0BEU
Sensor		
Sensor	2 × 4MP Sensor (2688 × 1520)	
Installation Height	2.2 ~ 6m	
FoV	101° Horizontal, 70° Vertical	
Required Illumination	0 lux with iR illuminators On	
Advanced Function		
Bi-Directional People Counting	Up to 4 detection lines for bi-directional people counting	
U-turn Filtering	Filter redundant counting of people wandering in the bi-directional people counting areas	
Regional People Counting	Up to 4 detection areas (up to 10 decagon for each area) for regional people counting	

& Dwell Time Detection	and dwell time detection	
Children/Adult Differentiation	Support (Installation Height: 2.2 ~ 4m)	
Staff Detection		
Gender Recognition		
Heat Map	Support	
Group Counting	Support	
Multi-Device Stitching	Support up to 16 devices stitching to expand coverage	
Memory Validation	8GB	
Data Retransmission	Support 8 × 50000 data retransmission packets	
Local Storage	Store up to one million data records and supports CSV file export	
Data Transmission		
Ethernet Port	1 × RJ45 10/100 Mbps (PoE PD)	1 × RJ45 10/100 Mbps
Network Protocol	MQTT(s), HTTP(s), 802.1x, SSH, NTP, etc.	MQTT(s), HTTP(s), SSH, NTP, etc.
Ethernet Isolation	1.5 kV RMS	-
Cellular		
Antenna	-	Internal Antenna
Network	-	4G LTE (CAT1)
Frequency Band	-	LTE-FDD: B1/B3/B5/B7/B8/B20/B28 for EMEA+Australia/New Zealand
SIM Slot	-	1 × Nano SIM (4FF), 1.8V/3V
Other Interfaces		
Power Input	1 × DC Jack Connector	
DI/DO	1/2	
Serial Interface	1 × RS485 (Under Development)	
Wi-Fi	IEEE 802.11 b/g/n, 2.4GHz (AP Mode for configuration)	
Button	1 × Reset/Wi-Fi Button	
LED Indicators	1 × RGB LED indicator	
Physical Characteristics		
Power Supply	802.3af PoE or DC 12V/1A	DC 12V/1A
Power Consumption	Avg. 5.9W Max. 11.1W	Avg. 5.1W Max. 10W
Operating Temperature	-20°C ~ 65°C	
Relative Humidity	0 ~ 95% (Non-condensing)	
Ingress Protection	IP67	
Dimension	202 × 102 × 38 mm (7.95 × 4.02 × 1.50 in)	
Weight	715g	713g

Color	Black	
Installation	Ceiling Mounting, Extended Ceiling Mounting & Lintel Mounting (with Optional Multifunctional Bracket)	
Approvals		
Regulatory	CE, FCC	CE
Environment	RoHS	

◆ Detection Area

Installation Height (m)	Detection Area(m ²)
2.2	1.21 × 0.7
2.5	1.94 × 1.12
3.0	3.16 × 1.82
3.5	4.37 × 2.52
4.0	5.58 × 3.22
4.5	6.80 × 3.92
5.0	8.01 × 4.62
5.5	9.23 × 5.32
6.0	10.44 × 6.02

◆ Dimensions (mm)

