

# Pro Series

## Industrial Router

### UR35

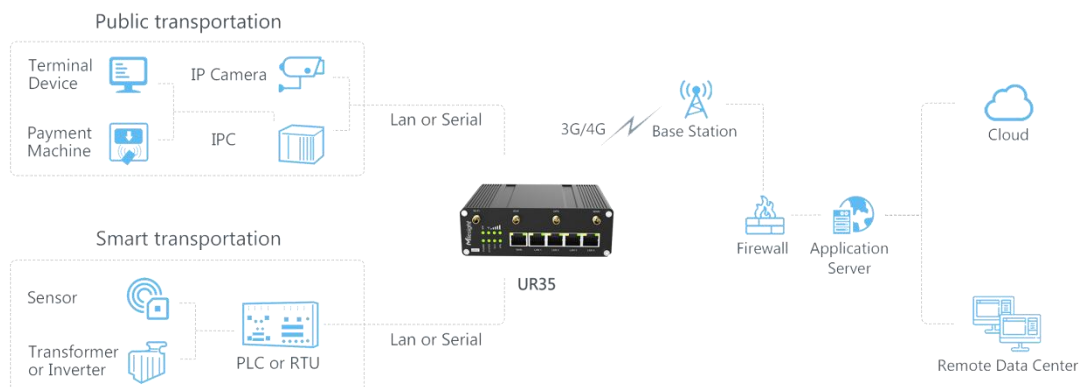


UR35 is a cost-effective industrial cellular router with embedded intelligent features that are designed for multifarious M2M/IoT applications. Global WCDMA and 4G LTE carrier supported make this drop-in connectivity a great help for operators in maximizing uptime.

Integrating embedded cellular modem and dual SIM function, the UR35 provides 3G/4G cellular network with 150 Mbps download and 50 Mbps uplink, it also has 5 fast Ethernet ports and supports Wi-Fi that compliance with 802.11b/g/n standard. All these capabilities deliver users an uninterrupted internet access.

Easy deployment and comprehensive remote device management makes UR35 versatile in most of IoT/M2M applications.

### ◆ Application Example



## ◆ Benefits

- NXP industrial grade processor
- Global 4G LTE CAT4/3G network with dual SIM cards for backup between multiple carrier networks
- Embedded Python SDK for secondary development
- Flexible modular design provides users with different connection modules like Ethernet, I/O, serial port, Wi-Fi, GPS for connecting diverse field assets
- Rugged enclosure, optimized for DIN rail or shelf mounting
- 3-year warranty included

## ◆ Security & Reliability

- Automated failover/failback between Ethernet, Cellular (dual SIM) and Wi-Fi
- Secure transmission with VPN tunnels like IPsec/OpenVPN/GRE/L2TP/PPTP/DMVPN/WireGuard
- Embeds hardware watchdog to automatically recover from various failure, ensure highest level of availability
- Establishes a secured mechanism on centralized authentication and authorization of device access by supporting AAA (Radius, TACACS+, LDAP, local Authentication) and multiple levels of user authority

## ◆ Easy Maintenance

- DeviceHub provides easy setup, mass configuration, and centralized management of remote devices
- The user-friendly web interface design and more than one option of upgrade help administrator to manage the device as easy as pie
- WEB GUI and CLI enable the admin to achieve simple management and quick configuration among a large quantity of devices
- Efficiently manage the remote routers on the existing platform through the industrial standard SNMP and TR069

## ◆ Capabilities

- Link remote devices in an environment where communication technologies are constantly changing
- Support 802.11 b/g/n, as AP or client mode, to establish versatile wireless network or be the backup WAN link for 4G/3G
- Support rich protocols like SNMP, TR069, MQTT, Modbus bridging, RIP, OSPF
- Provide power to 802.3af standard PoE devices and support power management
- Support wide operating temperature ranging from -40°C to +70°C/-40°F to +158°F

## ◆ Specifications

<b>Hardware System</b>	
CPU	ARM Cortex-A7, 528 MHz
Memory	128 MB DDR3 RAM and 128MB Flash
Extendable Storage	1 × Micro SD Slot
<b>Cellular Interface</b>	
Network	4G LTE (CAT 4)/WCDMA/GSM
Antenna Connector	2 × 50 Ω SMA Connectors (Center PIN: SMA Female)
SIM Slots	2 (Mini SIM-2FF)
<b>Ethernet Interface</b>	
Numbers	5 × 10/100 Mbps
Property	1 × WAN + 4 × LAN
Mode	Full or half duplex (Auto-Sensing)
PoE (Optional)	4 × 802.3 af/at PoE PSE on LAN Ports
<b>Wi-Fi Interface (Optional)</b>	
Antenna Connector	1 × 50 Ω SMA Connector (Center PIN: RP-SMA Female)
Standards	IEEE 802.11 b/g/n, 2.4GHz
Tx Power	802.11b: 16 dBm +/-1.5 dBm (11 Mbps)
	802.11g: 14 dBm +/-1.5 dBm (54 Mbps)
	802.11n: 13 dBm +/-1.5 dBm (65 Mbps, HT20/40 MCS7)
Modes	AP or Client mode
Security	WPA/WPA2 authentication, WEP/TKIP/AES encryption
<b>GPS (Optional)</b>	
Antenna Connector	1 × 50 Ω SMA Connector (Center PIN: SMA Female)
Protocol	NMEA0183, PMTK
<b>Serial Interface</b>	
Numbers	1 × RS232 + 1 × RS485 (2 × RS485 Hardware Optional)
Connector	3.5mm Terminal Block
Baud Rate	300bps to 230400bps
<b>DI/DO</b>	
Numbers	1 × DI (dry contact) + 1 × DO (wet contact), Galvanic Isolation
Connector	3.5mm Terminal Block
Maximum V/A	0.3A@30VDC (DO)
<b>Others</b>	

Reset Button	1 × RESET
LED Indicators	1 × POWER, 1 × SYSTEM, 1 × SIM, 1 × Wi-Fi, 1 × VPN, 3 × Signal strength
Built-in	Watchdog, Timer

## Software

Network Protocols	IPv4/IPv6, PPP, PPPoE, SNMP v1/v2c/v3, TCP, UDP, DHCP, RIPv1/v2, OSPF, DDNS, VRRP, HTTP, HTTPS, DNS, ARP, QOS, SNTP, Telnet, VLAN, SSH, MQTT, MQTTS, TR069, etc.
VPN	DMVPN, IPsec, OpenVPN, PPTP, L2TP, GRE, WireGuard, MilesightVPN
Security	Access Control, DMZ, Port Mapping, MAC Binding, SPI Firewalls, DoS&DDoS Protection, Filtering(IP&Domain), IP Passthrough
Management	Web, CLI, SMS, On-demand dial up, SNMP v1/v2/v3, DeviceHub
AAA	Radius, Tacacs+, LDAP, Local Authentication
Multilevel Authority	Multiple Levels of User Authority
Reliability	VRRP, WAN Failover, Dual SIM Backup
Serial Port	Transparent(TCP Client/Server, UDP), Modbus Server/Client, Modbus Gateway (Modbus RTU to Modbus TCP)

## Power Supply and Consumption

Power Connector	2-pin 5.08 mm Terminal Block
Input Voltage	9-48 VDC, with Surge-Protection and Reverse Polarity Protection
Power Consumption	Typical 3.9 W, Max 4.6 W (In Non-PoE mode)

## Physical Characteristics

Ingress Protection	IP30
Housing & Weight	Metal, 485 g
Dimension	135 x 103 x 45 mm (5.31 x 4.06 x 1.77 in)
Installation	Desktop, Wall or DIN Rail Mounting

## Environmental

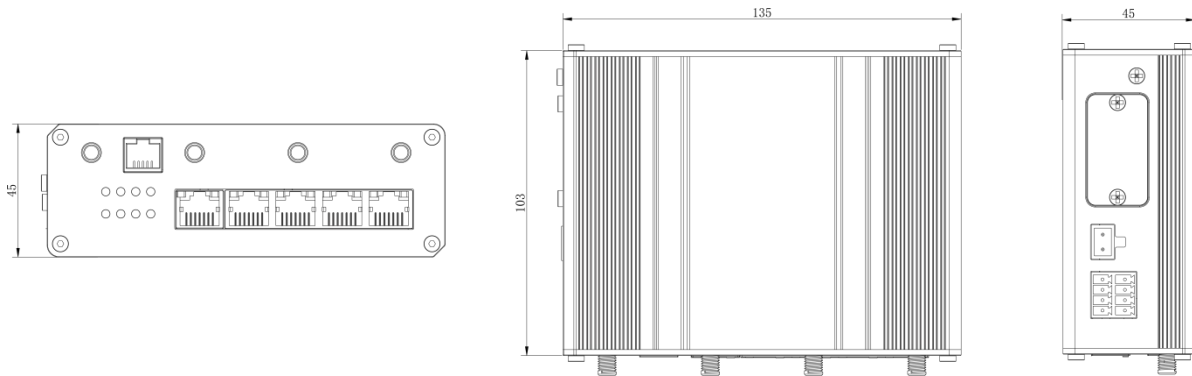
Operating Temperature	-40°C to +70°C (-40°F to +158°F) Reduced Cellular Performance Above 60°C
Storage Temperature	-40°C to +85°C (-40°F to +185°F)
Ethernet Isolation	1.5 kV RMS
Relative Humidity	0% to 95% (non-condensing) at 25°C/77°F

## Approvals

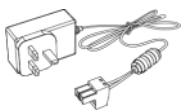
Regulatory	CE, FCC, RCM, JATE, Telec
Environmental	RoHS
EMC	EN 55032, EN 55035

EMS	IEC 61000-4-2 Level 3
	IEC 61000-4-3 Level 2
	IEC 61000-4-4 Level 3
	IEC 61000-4-5 Level 3
	IEC 61000-4-6 Level 3
	IEC 61000-4-8 Level 4
	IEC 61000-4-11 Level 3
Radio Frequency	EN 301 489-1/17/19/52, EN 301 511, EN 301 908-1/2/13, EN 303 413, EN300 328
Safety	EN62368-1

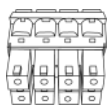
## ◆ Dimensions(mm)



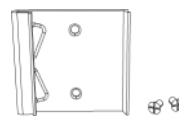
## ◆ Accessories



1 × Power Adapter



1 × 8-Pin Pluggable Terminal



1 × DIN Rail Kit



2 × Magnetic Cellular Antennas



1 × Wi-Fi Antenna  
**(Wi-Fi Version Only)**



1 × GPS Antenna  
**(GPS Version Only)**



2 × Stubby Cellular Antennas  
**(Optional)**

**\*Note:** Contact us if you need any other special accessories or customized accessories.

